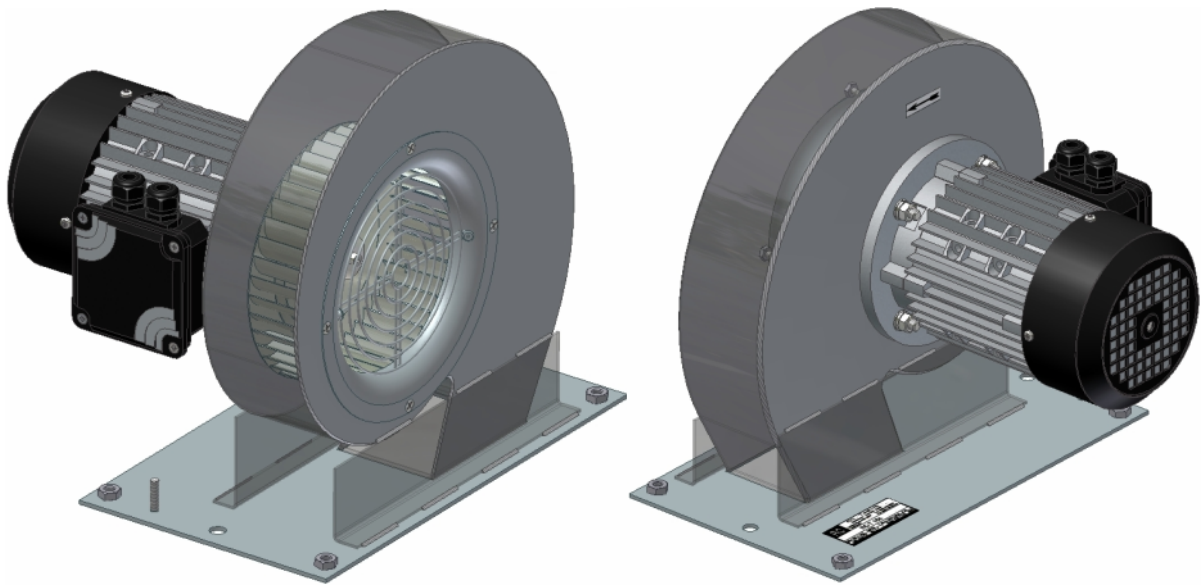


RADIAL BLOWER

single inlet



RC-T 184 3~400 V/50 Hz



Gottlieb-Dunkel-Str.20/21
D-12099 Berlin-Tempelhof

Tel.: ++49 - (0)30 - 780 962 0
Fax ++49 - (0)30 - 780 962 28

Internet: www.rc-technik.com
e-m@il: info@rc-technik.com

Product: Radial blower RC-T 184,
single inlet with spiral casing

Model: Model with protection guard
Motor construction type: three-phase current standard motor with integrated thermal contacts
Spiral casing: galvanized sheet steel, colour-coated
Impeller wheel: galvanized sheet steel

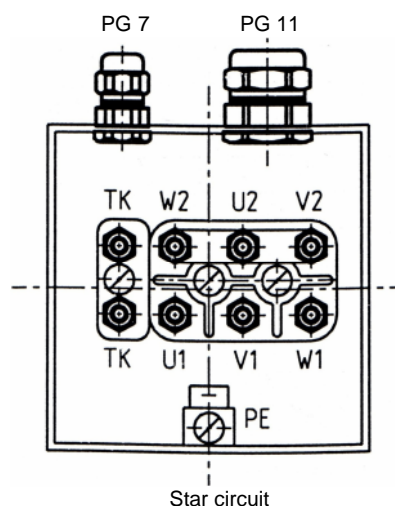
available: - in various RAL colour tones

| | | |
|------------------------|--------------------------|--|
| Technical data: | Nominal voltage | 3~400 V (Y) |
| | Frequency | 50 Hz |
| | Power consumption | 0.55 KW, Cos phi 0.83 |
| | Current consumption | 1.3 A |
| | Volume flow | see performance curve |
| | Static pressure increase | see performance curve |
| | Rated speed | 2830 min ⁻¹ |
| | Motor protection type | IP 55; insulation class F |
| | Operating temperature | -25...+50 °C |
| | Weight | 12 kg |
| | Expected service life | 40,000 hours of operation, at 40 °C ambient temperature as reference value (depending on marginal conditions) |

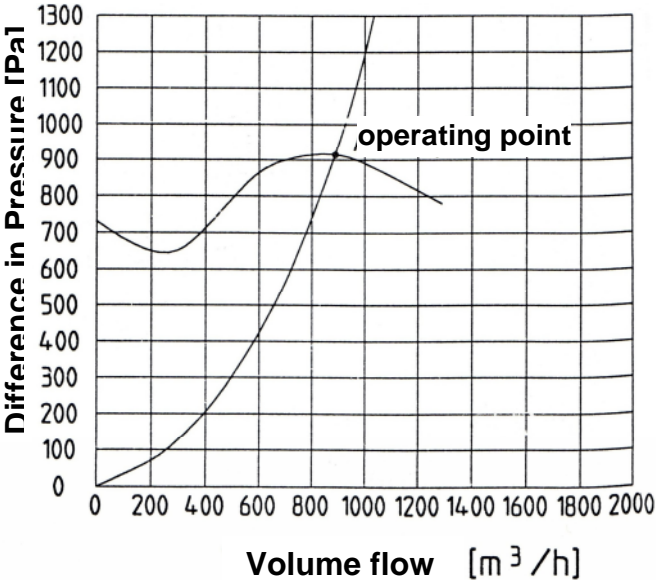
Direction of rotation clockwise (viewed from inlet side)

Mounting position: rotor axis horizontal or vertical

Connection diagram:



Air performance curve RC-T 184 (Y circuit)



Dimensional drawing:

