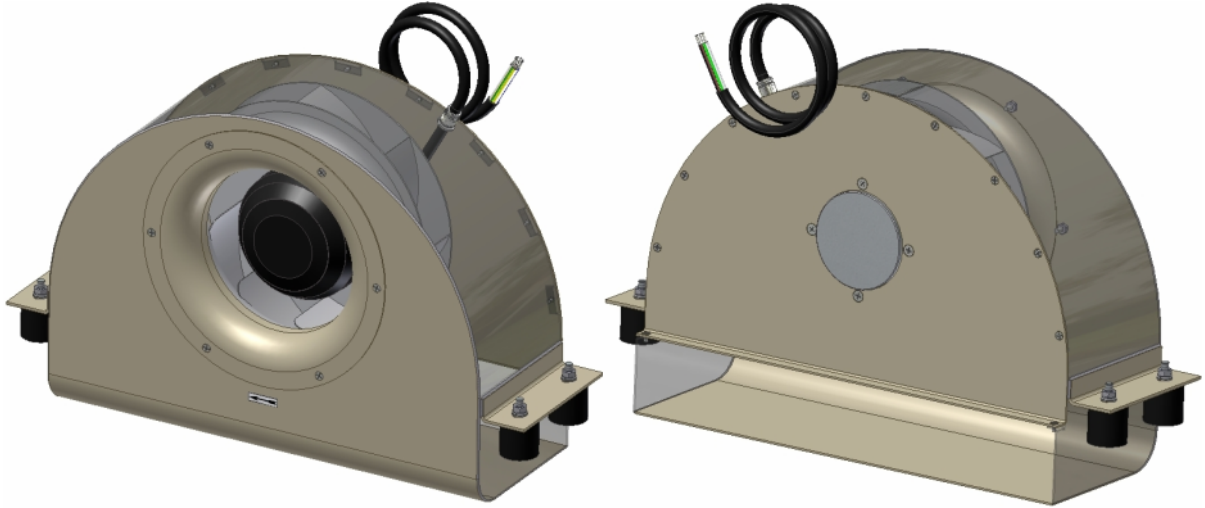


# RADIAL FAN



*RC-DKHR 280-2 HS* 3~230 V / 65 Hz



Gottlieb-Dunkel-Str.20/21  
D-12099 Berlin-Tempelhof

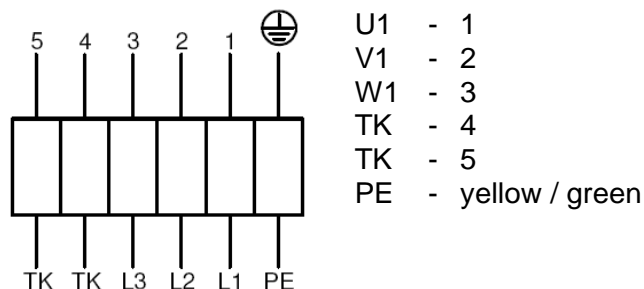
**Characteristics:**

Model	RC-DKHR 220-2 HS
Voltage	3~230 V AC (Y)
Frequency	65 Hz
Power consumption	0.86 kW
Current consumption	2.45 A
Ratio of starting current to nominal current	$I_A / I_N$ 6.2
Cos $\phi$	0.88
Pressure over air flow	see performance curve
Real power	see performance curve
Efficiency	see performance curve
Rpm	3360 min <sup>-1</sup>
Sound pressure level	88 dB (A)
Max. ambient operating temperature	60°C
Fan weight	16.9 kg

**Technical description:**

Motor protection type	IP54; insulation class F
High-voltage test	2.5 kV, test time 1 min
Connecting cable	1 m long
Certifications	CE
Bearings	maintenance-free ball bearings
Expected service life	35,000 operating hours, at 40°C ambient temperature as reference value (depending on marginal conditions)
Motor type	external rotor motor, with thermal contact connection, three-phase
Casing	stainless steel sheet metal A2, plastic-coated RAL 7032
Impeller	material: AlMg3 Fe23, backward curved
Direction of rotation	clockwise (viewed from the inlet side)
Direction of movement	inlet on rotor side
Mounting position	drive shaft horizontal

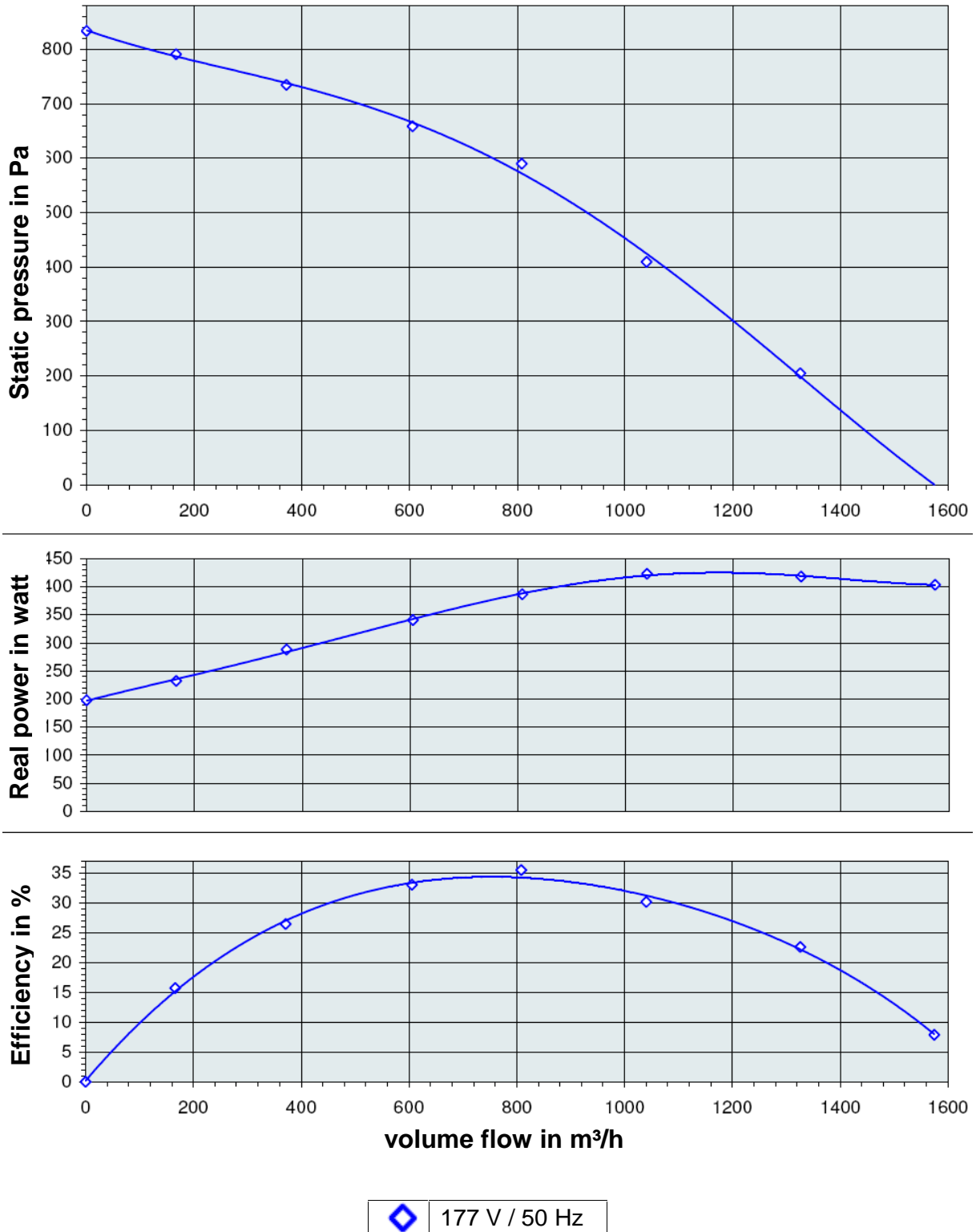
**Connection diagram:**



Change of rotation direction is effected by exchange of two phases.

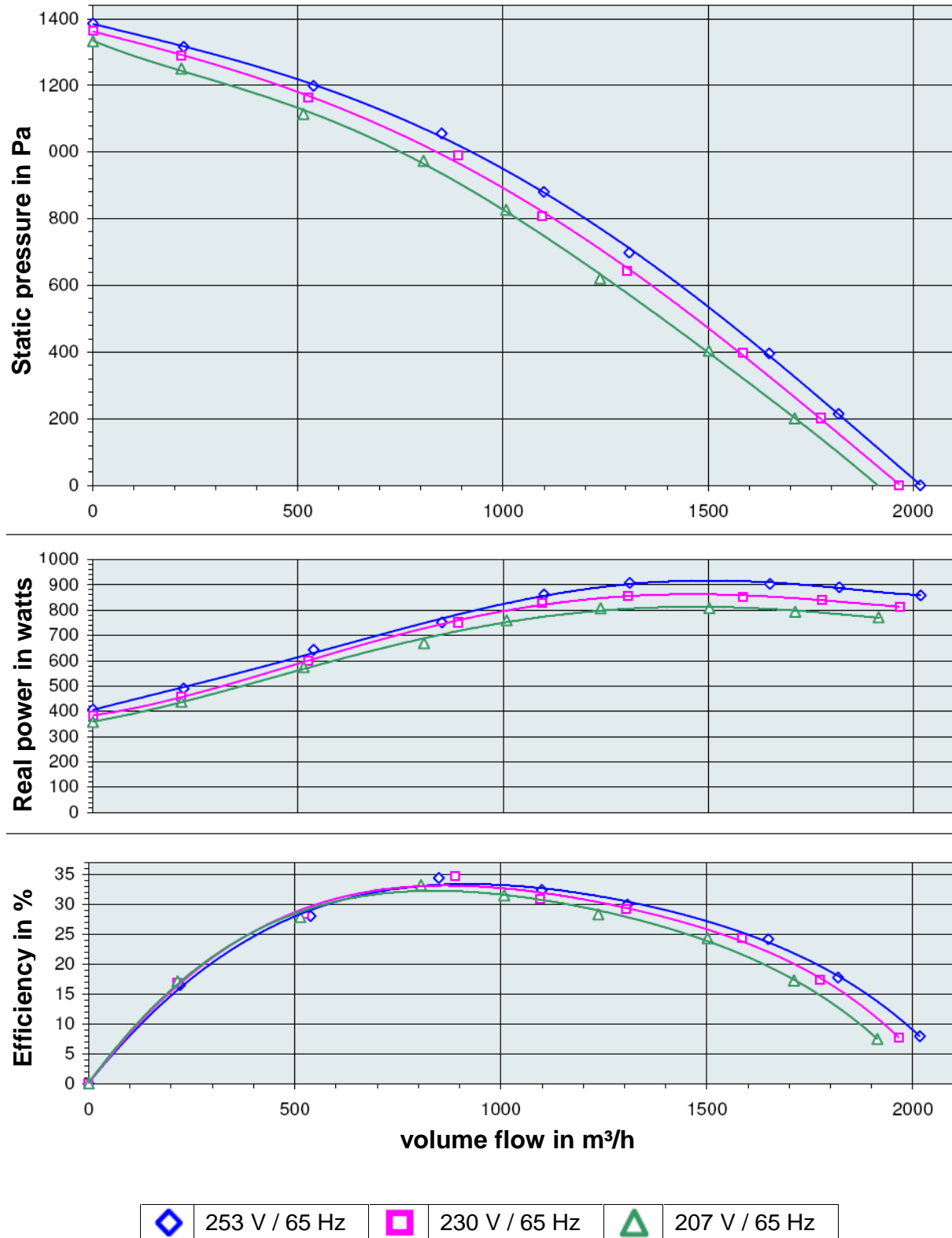
**Performance curve:**

Flow rate measurement method according to DIN 1952 VDI  
 Inlet test method in test chamber according to DIN 24163



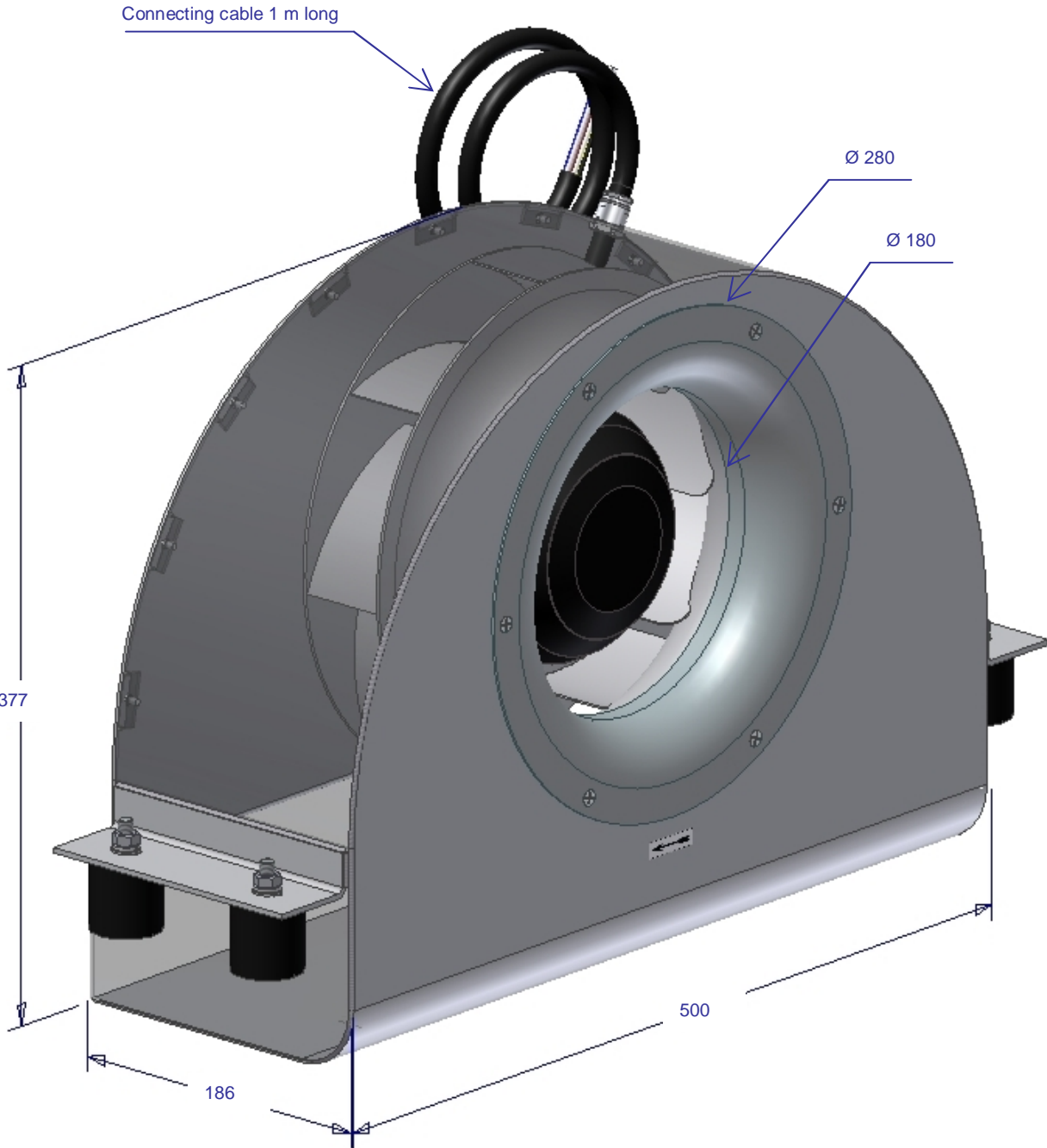
**Performance curve:**

Flow rate measurement method according to DIN 1952 VDI  
 Inlet test method in test chamber according to DIN 24163

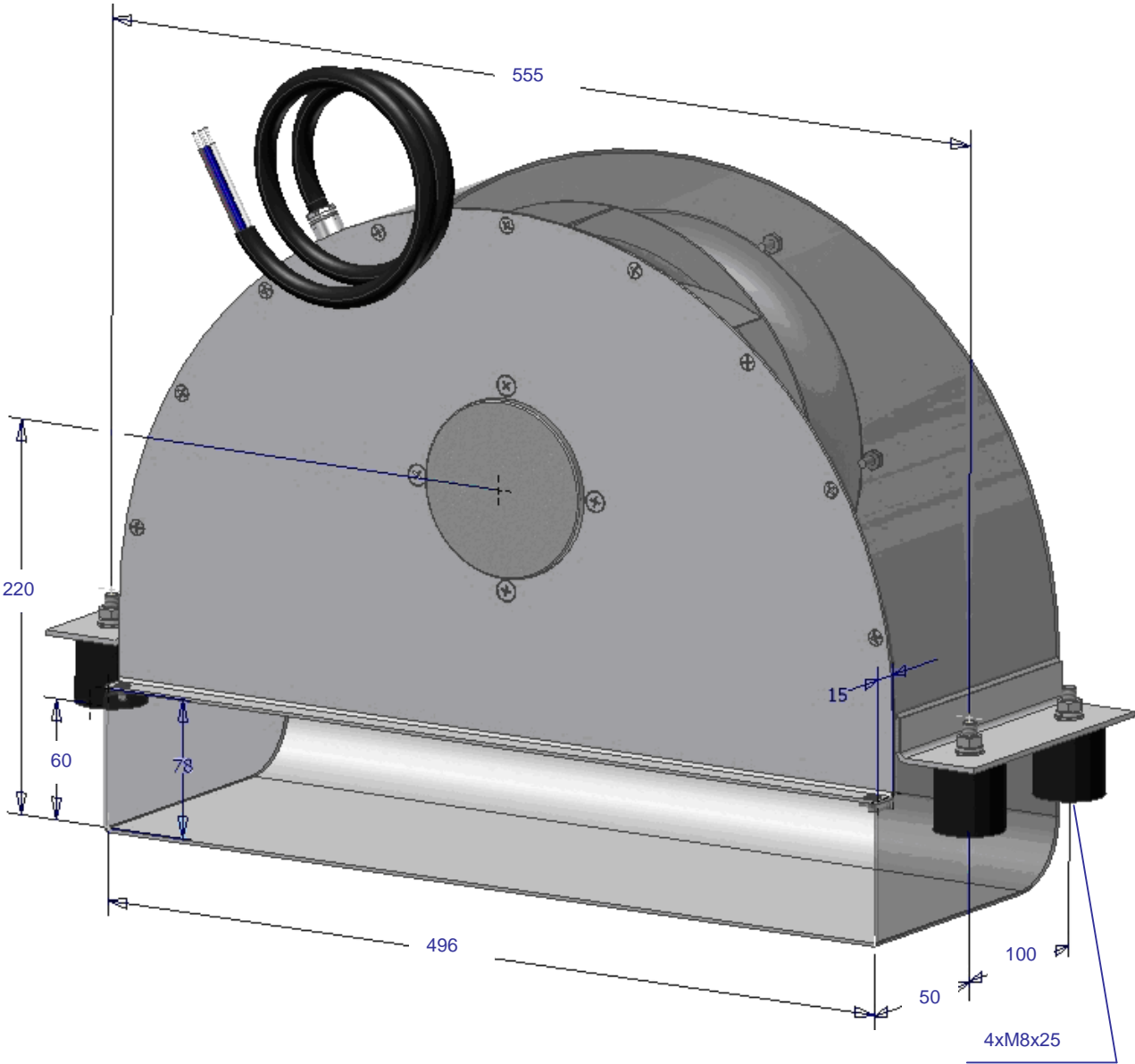


Tension tolerance +/-10%  
 Frequency tolerance +/-1Hz

**Dimensional drawing:**



**Dimensional drawing:**



Technical drawing:

